

# MRX-G4064 系列

56 個 GbE 和 8 個 10GbE 連接埠 Layer 3 全 Gigabit 模組化網管型乙太網路交換器



## 特色與優點

- 8 個 10GbE 乙太網路連接埠
- 多達 56 個 1GbE 連接埠或 SFP 插槽
- HAST (高可用性靜態匯聚網口) 技術支援主幹可靠性
- 搭載 LCM 顯示屏，狀態更新一目了然，支援輕鬆的現場維護和操作
- 雙電源模組和 6+2 風扇冗餘設計，網路不間斷運行
- 即時系統溫度監控，保護網路和設備

Preliminary

## 認證



## 簡介

資訊技術日益融合所帶來的工業視訊、語音和資料應用的高

MRX-G4064 系列旨在滿足工業現場效能、高可用性要求。

MRX-G4064 系列的模組化設計支援內建 8 個 10GbE 連接埠，並透過模組支援多達 56 個 1GbE 連接埠，非常適合建造大規模工業網路應用。10GbE 連接埠顯著增加了網路交換頻寬，允許直接連接到支援 10GbE 的伺服器，並將資料收集和分析移至更靠近應用站點的位置。此外，對多埠聚合的支援允許更高的頻寬骨幹網路，同時也為未來的網路成長留出空間。

除了能夠容納更多數量的現場設備外，MRX-G4064 系列還可以降低資料傳輸的延遲，並能夠在高效能網路上快速傳輸大量視訊、語音和資料。該系列配備冗餘多風扇冷卻系統和冗餘隔離電源。它支援工業高效 Turbo Ring 技術，以及 ERPS (ITU-T G.8032) 和 RSTP/STP 等其他網路冗餘技術，可以增強 IT/OT 融合應用中骨幹網路的可靠性和可用性。

## 附加特色與優點

- 靈活的頻寬/連接埠組合，可實現有效的頻寬管理和最大的可靠性
- 用於快速管理的命令列介面 (CLI)
- 帶外管理 (OOBM) 端口，確保帶內服務無法訪問時網路管理的可用性
- 系統溫度控制和功耗管理，實現不間斷運行
- 連接埠鏡像 (N:M) 技術支援安全監控和稽核
- 針對大規模視訊監控的大突發傳輸進行最佳化，防止丟幀
- 用於網路時間同步的 IEEE1588v2 PTP (精確時間協定)
- 支援 MXconfig 和 MXview One 用於工業網路管理和視覺化

## 規格

### Ethernet Interface

1000/2500/10000BaseSFP Ports	8
1000BaseSFP Slots	8
Out-of-band Management (OOBM)	1 x 8-pin RJ45 1GbE Ethernet port (MGMT)

Module	<p>There are 3 module slots on the switch. Users can select different types of modules to insert into the switch. The modules that can be selected include 16-port modules with 1000BaseT(X) or 1000BaseSFP interfaces.</p> <p>Refer to Expansion Modules in the Accessories section for a full list of supported interface modules.</p>
Standards	<p>IEEE 802.1D-2004 for Spanning Tree Protocol  IEEE 802.1p for Class of Service  IEEE 802.1Q for VLAN Tagging  IEEE 802.1s for Multiple Spanning Tree Protocol  IEEE 802.1w for Rapid Spanning Tree Protocol  IEEE 802.1X for Authentication  IEEE 802.3ab for 1000BaseT(X)  IEEE 802.3ad for Port Trunk with LACP  IEEE 802.3x for Flow Control  IEEE 802.3z for 1000BaseSX/LX/LHX/ZX  IEEE 802.3ae for 10 Gigabit Ethernet  IEEE 802.3az for Energy-Efficient Ethernet  ITU-T G.8032 Ethernet Ring Protection Switching</p>

### Ethernet Software Features

Management	<p>IPv4  Flow control  Back Pressure Flow Control  DHCP Client  ARP  RARP  LLDP  Linkup Delay  SMTP  SNMP Trap  SNMP Inform  SNMPv1/v2c/v3  RMON  TFTP  SFTP  HTTP  HTTPS  Telnet  Syslog  Private MIB  Port Mirroring (SPAN, RSPAN)</p>
Filter	<p>GMRP  GVRP  GARP  802.1Q  IGMP Snooping v1/v2/v3  IGMP Querier</p>
Redundancy Protocols	<p>STP  RSTP  Turbo Ring v2  Ring Coupling  Multiple Dual-Homing  Link Aggregation  Network Loop Protection  MSTP</p>
Routing Redundancy	<p>VRRP</p>
Security	<p>Broadcast storm protection  Rate Limit  Access control list  Static port lock  Sticky MAC  HTTPS/SSL  SSH  RADIUS  TACACS+  Login and password policy</p>

Time Management	SNTP IEEE 1588v2 PTP (hardware-based) NTP Server/Client NTP Authentication
Protocols	TCP/IP UDP ICMP ARP RARP TFTP DNS NTP Client DHCP Client 802.1X QoS HTTPS HTTP Telnet SMTP SNMPv1/v2c/v3 IPv4 RMON Syslog
Unicast Routing	OSPF Static Route
MIB	P-BRIDGE MIB Q-BRIDGE MIB IEEE8021-SPANNING-TREE-MIB IEEE8021-PAE-MIB IEEE8023-LAG-MIB LLDP-EXT-DOT1-MIB LLDP-EXT-DOT3-MIB SNMPv2-MIB RMON MIB Groups 1, 2, 3, 9
<b>Switch Properties</b>	
MAC Table Size	32 K
Max. No. of VLANs	512
IGMP Groups	1500
Jumbo Frame Size	9.6 KB
Packet Buffer Size	6 MB
Priority Queues	8
VLAN ID Range	VID 1 to 4094
<b>USB Interface</b>	
Storage Port	USB Type A
<b>MicroSD Interface</b>	
Storage Port	microSD card
<b>Serial Interface</b>	
Console Port	RS-232 (RJ45)
<b>Input/Output Interface</b>	
Alarm Contact Channels	1 relay output with current carrying capacity of 2 A @ 30 VDC

## Power Parameters

Input Voltage	100-240 VAC, 50-60 Hz or 230-240 VDC (for each power supply)
Operating Voltage	90-264 VAC, 47-63 Hz or 180-300 VDC (for each power supply)
Overload Current Protection	Supported
Reverse Polarity Protection	Supported
Input Current	Max. 1.236 A @ 110 VAC Max. 0.675 A @ 220 VAC Max. 0.74 A @ 180 VDC Max. 0.439 A @ 300 VDC
Power Consumption (Max.)	Max. 134.2 W @ 110 VAC Max. 132.3 W @ 220 VAC Max. 133.2 W @ 180 VDC Max. 131.8 W @ 300 VDC  Note: These are the maximum power consumption ratings for the device with the maximum number of modules installed.
Power Module	2 x slots (2 x PWR-300-HVA-IF power modules included)

## Physical Characteristics

IP Rating	IP30
Dimensions	440 x 88 x 420 mm (17.32 x 3.46 x 16.54 in)
Weight	12 kg (26 lb)
Fan Module	8 x slots (8 x XM-4000-FAN-R preinstalled)
Installation	Rack mounting
Interactive Interface	Onboard LCM display Push buttons for configuration

## Environmental Limits

Operating Temperature	-10 to 60°C (-14 to 140°F)
Storage Temperature (package included)	-40 to 85°C (-40 to 185°F)
Ambient Relative Humidity	5 to 95% (non-condensing)

## Standards and Certifications

Safety	UL 62368-1 UL 61010-2-201 IEC 62368-1
EMC	EN 55032/35 EN 61000-6-2/-6-4
EMI	CISPR 32, FCC Part 15B Class A
EMS	IEC 61000-4-2 ESD: Contact: 8 kV; Air: 15 kV IEC 61000-4-3 RS: 80 MHz to 1 GHz: 35 V/m IEC 61000-4-4 EFT: Power: 4 kV; Signal: 4 kV IEC 61000-4-5 Surge: Power: 4 kV; Signal: 4 kV IEC 61000-4-6 CS: 10 V IEC 61000-4-8 PFMF IEC 61000-4-11 Voltage Dips & Interruptions
Railway	EN 50121-4
Shock	IEC 60068-2-27

Vibration	IEC 60068-2-6
Package Drop Test	ISTA 1A
Package Vibration Test	ISTA 1A

#### MTBF

Time	1,337,959 hrs
Standards	Telcordia (Bellcore), GB

#### Warranty

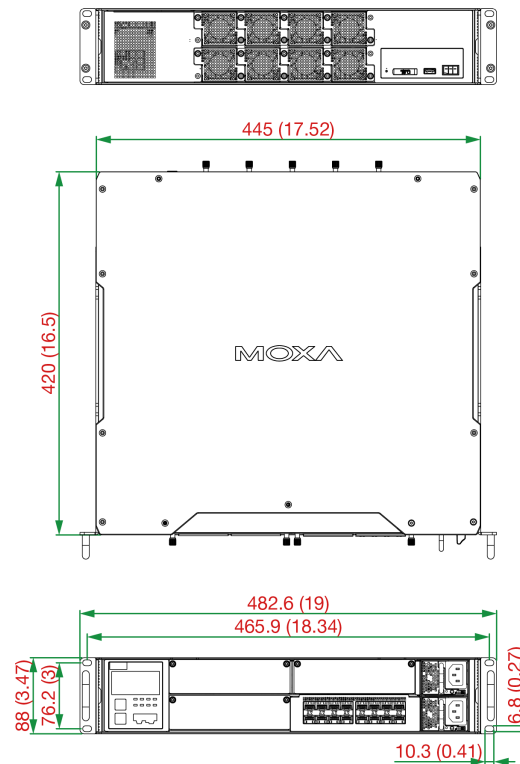
Warranty Period	5 years
Details	See <a href="http://www.moxa.com/tw/warranty">www.moxa.com/tw/warranty</a>

#### Package Contents

Device	1 x MRX-G4064-L3-8XGS Series switch (eight XM-4000-FAN-R fan modules preinstalled)
Power Supply	2 x PWR-300-HVA-IF power modules
Installation Kit	2 x rack-mounting ear 2 x plastic IP30 dust cover for PWR power modules 8 x round stickers for module screws
Documentation	1 x quick installation guide 1 x warranty card
Note	This product requires additional modules (sold separately) and IEC 60320 C15 power cords to function.

## 尺寸

單位：公釐 (英吋)



## 訂購資訊

Model Name	Max. No. of Ports	10GbE SFP+ Slots	1000Base SFP Slots	1000BaseT(X) Ports (RJ-45)	L3 Functionality	Operating Temp.
MRX-G4064-L3-8XGS	64	8	Up to 56	Up to 48	P	-10 to 60°C

## 配件 (選購)

### Expansion Modules

XM-4000-16GTX	Gigabit Ethernet module with 16 1000BaseT(X) ports
XM-4000-16GSFP	Gigabit Ethernet module with 16 1000BaseSFP ports

### Power Modules

PWR-300-HVA-IF	Isolated power supply module (110/220 VAC/VDC) with system power input, AC power inlet, intake fan
----------------	--

### Fan Modules

XM-4000-FAN-R	Exhaust fan module for MRX switches
---------------	-------------------------------------

### SFP Modules

SFP-1G10ALC	WDM-type (BiDi) SFP module with 1 1000BaseSFP port with LC connector for 10 km transmission; TX 1310 nm, RX 1550 nm, 0 to 60°C operating temperature
SFP-1G10BLC	WDM-type (BiDi) SFP module with 1 1000BaseSFP port with LC connector for 10 km transmission; TX 1550 nm, RX 1310 nm, 0 to 60°C operating temperature
SFP-1G20ALC	WDM-type (BiDi) SFP module with 1 1000BaseSFP port with LC connector for 20 km transmission; TX 1310 nm, RX 1550 nm, 0 to 60°C operating temperature
SFP-1G20BLC	WDM-type (BiDi) SFP module with 1 1000BaseSFP port with LC connector for 20 km transmission; TX 1550 nm, RX 1310 nm, 0 to 60°C operating temperature
SFP-1G40ALC	WDM-type (BiDi) SFP module with 1 1000BaseSFP port with LC connector for 40 km transmission; TX 1310 nm, RX 1550 nm, 0 to 60°C operating temperature
SFP-1G40BLC	WDM-type (BiDi) SFP module with 1 1000BaseSFP port with LC connector for 40 km transmission; TX 1550 nm, RX 1310 nm, 0 to 60°C operating temperature
SFP-1G10ALC-T	WDM-type (BiDi) SFP module with 1 1000BaseSFP port with LC connector for 10 km transmission; TX 1310 nm, RX 1550 nm, -40 to 85°C operating temperature
SFP-1G10BLC-T	WDM-type (BiDi) SFP module with 1 1000BaseSFP port with LC connector for 10 km transmission; TX 1550 nm, RX 1310 nm, -40 to 85°C operating temperature
SFP-1G20ALC-T	WDM-type (BiDi) SFP module with 1 1000BaseSFP port with LC connector for 20 km transmission; TX 1310 nm, RX 1550 nm, -40 to 85°C operating temperature
SFP-1G20BLC-T	WDM-type (BiDi) SFP module with 1 1000BaseSFP port with LC connector for 20 km transmission; TX 1550 nm, RX 1310 nm, -40 to 85°C operating temperature
SFP-1G40ALC-T	WDM-type (BiDi) SFP module with 1 1000BaseSFP port with LC connector for 40 km transmission; TX 1310 nm, RX 1550 nm, -40 to 85°C operating temperature
SFP-1G40BLC-T	WDM-type (BiDi) SFP module with 1 1000BaseSFP port with LC connector for 40 km transmission; TX 1550 nm, RX 1310 nm, -40 to 85°C operating temperature
SFP-1GSXLC	SFP module with 1 1000BaseSX port with LC connector for 300m/550m transmission, 0 to 60°C operating temperature
SFP-1GLSXLC	SFP module with 1 1000BaseLSX port with LC connector for 1km/2km transmission, 0 to 60°C operating temperature
SFP-1GLXLC	SFP module with 1 1000BaseLX port with LC connector for 10 km transmission, 0 to 60°C operating temperature
SFP-1GLHLC	SFP module with 1 1000BaseLH port with LC connector for 30 km transmission, 0 to 60°C operating temperature
SFP-1GLHXLC	SFP module with 1 1000BaseLHX port with LC connector for 40 km transmission, 0 to 60°C operating temperature
SFP-1GZXLC	SFP module with 1 1000BaseZX port with LC connector for 80 km transmission, 0 to 60°C operating temperature

SFP-1GEZXC	SFP module with 1 1000BaseEZ port with LC connector for 110 km transmission, 0 to 60°C operating temperature
SFP-1GEZXC-120	SFP module with 1 1000BaseEZ port with LC connector for 120 km transmission, 0 to 60°C operating temperature
SFP-1GSXC-T	SFP module with 1 1000BaseSX port with LC connector for 300m/550m transmission, -40 to 85°C operating temperature
SFP-1GLSXC-T	SFP module with 1 1000BaseLS port with LC connector for 1km/2km transmission, -40 to 85°C operating temperature
SFP-1GLXC-T	SFP module with 1 1000BaseLX port with LC connector for 10 km transmission, -40 to 85°C operating temperature
SFP-1GLHLC-T	SFP module with 1 1000BaseLH port with LC connector for 30 km transmission, -40 to 85°C operating temperature
SFP-1GLHXC-T	SFP module with 1 1000BaseLHX port with LC connector for 40 km transmission, -40 to 85°C operating temperature
SFP-1GZXC-T	SFP module with 1 1000BaseZX port with LC connector for 80 km transmission, -40 to 85°C operating temperature
SFP-1GTXRJ45-T	SFP module with 1 1000BaseT port with RJ45 connector for 100 m transmission, -40 to 75°C operating temperature
SFP-10GSRLC-T	SFP+ module with 1 10GBase-SR port, LC connector for 33m/82m/300m/400m transmission, -40 to 85°C operating temperature
SFP-10GLRLC-T	SFP+ module with 1 10GBase-LR port, LC connector for 10 km transmission, -40 to 85°C operating temperature
SFP-10GERLC-T	SFP+ module with 1 10GBase-ER port, LC connector for 40 km transmission, -40 to 85°C operating temperature
SFP-10GZRLC-T	SFP+ module with 1 10GBase-ZR port, LC connector for 80 km transmission, -40 to 85°C operating temperature

#### Cables

CN20070	10-pin RJ45 to DB9 female serial cable
PWC-C15US-3B-183	C15 power cord with US plug, 1.83 m
PWC-C15CN-3B-183	C15 power cord with CN plug, 1.83 m
PWC-C15EU-3B-183	C15 power cord with EU plug, 1.83 m

#### Software

LIC-MXviewOne-NEW-XN-SR	MXview One node license with customizable node quantity (minimum 1 node)
-------------------------	--

#### Storage Kits

ABC-02-USB	Configuration backup and restoration tool, firmware upgrade, and log file storage tool for managed Ethernet switches and routers, 0 to 60°C operating temperature
ABC-02-USB-T	Configuration backup and restoration tool, firmware upgrade, and log file storage tool for managed Ethernet switches and routers, -40 to 75°C operating temperature
ABC-03-microSD-T	MicroSD-based configuration backup and restoration tool, firmware upgrades, and log file storage tool for managed Ethernet switches and WLAN products, -40 to 85°C operating temperature

© Moxa Inc. 版權所有。2024 年 4 月 12 日更新。

未經 Moxa Inc. 明確書面許可，不得以任何方式複製或使用本文件及其任何部分。產品規格如有變更，恕不另行通知。請至本公司官網了解最新的產品資訊。