

EDR-G9004 Series

2 Gigabit copper + 2 Gigabit copper/SFP combo port industrial secure routers



Features and Benefits

- 4-port Gigabit all-in-one firewall/NAT/VPN/router
- Gen3 LAN Bypass for system fault tolerance
- Dual WAN redundant interfaces through public networks
- Industrial-grade Intrusion Prevention/Detection System (IPS/IDS)
- Visualize OT security with the MXsecurity management software
- Secure remote access tunnel with VPN
- Examine industrial protocol data with Deep Packet Inspection (DPI) technology
- Easy network setup with Network Address Translation (NAT)
- Developed according to IEC 62443-4-2 with Secure Boot
- -40 to 75°C operating temperature range (-T model)

Certifications



Introduction

The EDR-G9004 Series is a set of highly integrated industrial multi-port secure routers with firewall/NAT/VPN functions. These devices are designed for Ethernet-based security applications in critical remote control or monitoring networks. These secure routers provide an electronic security perimeter to protect critical cyber assets including substations in power applications, pump-and-treat systems in water stations, distributed control systems in oil and gas applications, and PLC/SCADA systems in factory automation. Furthermore, with the addition of IDS/IPS, the EDR-G9004 Series is an industrial next-generation firewall, equipped with threat detection and prevention capabilities to further protect critical infrastructure from cybersecurity attacks.

Defend Against Malicious Threats With Advanced Cybersecurity Features

The EDR-G9004 Series' embedded firewall uses policy rules to control network traffic between trusted zones while Network Address Translation (NAT) shields the internal network from unauthorized access by outside hosts. The Virtual Private Networking (VPN) functionality further provides users with secure communication tunnels when accessing the private network from the public Internet. To help protect your OT assets from cyberattacks, the EDR-G9004 Series supports Deep Packet Inspection (DPI) to examine the data portion of network packets for various OT-specific protocols.

Simplify Configurations With the User-friendly Interface and Quick Settings

The EDR-G9004 Series' Setup Wizard provides an easy way for users to set up DMZ ports to create a secure network buffer zone in just three steps. In addition, the object-based firewall management feature gives engineers a simple way to configure and maintain firewall filtering for IP addresses and subnets, network services, industrial application services, and user-defined services.

Industrial-grade Design to Ensure Uninterrupted Network Connectivity

The EDR-G9004 Series' rugged hardware makes these secure routers ideal for harsh industrial environments, featuring wide-temperature models that are built to operate reliably in hazardous conditions and extreme temperatures of -40 up to 75°C. Moreover, the EDR-G9004 Series supports WAN, Layer 3 redundancy mechanisms, and Gen3 LAN Bypass fault tolerance to ensure that your network stays connected at all times.

Virtual Patching and Intelligent Threat Protection

Patching remains a major challenge in OT environments because OT applications cannot afford interrupting operations by shutting down systems to apply patches. Virtual patching technology can help complement existing patch management processes by shielding known and unknown vulnerabilities. In addition, the EDR-G9004 features intelligent IPS functionality for continuous protection against cyberthreats which uses pattern-based detection to identify and block known attacks.

MX-ROS Addresses Growing Cybersecurity Threats

Moxa's MX-ROS (<https://www.moxa.com/en/spotlight/portfolio/mx-ros/index>) is a software platform for industrial security routers and firewalls. The platform supports the robust security and user-friendly operation of secure routers through simplified web and CLI interfaces. In addition to

adhering to IEC 62443-4-2, MX-ROS devices offer a wealth of the latest cross-industry Operational Technology (OT) network management features with each release to safeguard hardware and software.

Specifications

Input/Output Interface

Alarm Contact Channels	Resistive load: 1 A @ 24 VDC
Buttons	Reset button
Digital Input Channels	+13 to +30 V for state 1 -30 to +3 V for state 0 Max. input current: 8 mA

Ethernet Interface

10/100/1000BaseT(X) Ports (RJ45 connector)	2 (with Gen3 LAN Bypass)
Combo Ports (10/100/1000BaseT(X) or 1000/2500BaseSFP)	2
DMZ	Supports DMZ port
Standards	IEEE 802.3 for 10BaseT IEEE 802.3u for 100BaseT(X) IEEE 802.3ab for 1000BaseT(X) IEEE 802.3z for 1000BaseSX/LX/LHX/ZX IEEE 802.3x for flow control

Ethernet Software Features

Management	Back Pressure Flow Control DDNS DHCP Server/Client Web Console (HTTP/HTTPS) LLDP SNMPv1/v2c/v3 Telnet TFTP HTTPS SSH
Routing Throughput	Max. 350K packets per second / 2 Gbps (based on RFC 2544)
Routing Table	Max. 4K routing rules
Concurrent Connections	Max. 400K (based on RFC 3511)
Connections Per Second	Max. 20K (based on RFC 3511)
Routing Redundancy	VRRP
Security	Secure Boot IPsec L2TP (server) RADIUS TACACS+ Trust access control SCP SFTP NTP authentication Syslog Authentication
Time Management	NTP Server/Client SNTP

Multicast Routing	Static Route
Unicast Routing	OSPF RIPV1/V2 Static Route
LED Interface	
LED Indicators	PWR1, PWR2, STATE, BYPASS, WAN/DMZ, VRRP/HA, VPN, USB
DoS and DDoS Protection	
Technology	ARP-Flood FIN Scan ICMP Flood TCP Sessions Without SYN NMAP-ID Scan NMAP-Xmas Scan Null Scan SYN/FIN Scan SYN/RST Scan SYN-Flood Xmas Scan
Firewall	
Filter	DDoS Ethernet protocols ICMP IP address MAC address Ports
Stateful Inspection	Router firewall Transparent (bridge) firewall
Deep Packet Inspection	Modbus TCP Modbus UDP DNP3 IEC 60870-5-104 IEC 61850 MMS EtherNet/IP MELSEC Omron FINS OPC UA Siemens S7 Comm. Siemens S7 Comm. Plus Additional protocols will be supported through future firmware updates.
Intrusion Prevention System	Requires an additional license.
Throughput	Firewall: Max. 350K packets per second / 2 Gbps (based on RFC 2544) IPS: Max. 200K packets per second / 2 Gbps (based on RFC 2544)
IPsec VPN	
Authentication	MD5 and SHA (SHA-512) RSA (key size: 1024-bit, 2048-bit) X.509 v3 certificate
Concurrent VPN Tunnels	Max. 250 IPsec VPN tunnels
Encryption	DES 3DES AES-128 AES-192 AES-256 AES-256-GCM

Protocols	IPsec L2TP (server) PPTP (client)
Throughput	Conditions: AES-256, SHA-256 Max. 100K packets per second / 800 Mbps (based on RFC 2544)

NAT

Features	1-to-1 N-to-1 NAT loopback Port forwarding
----------	---

Real-Time Firewall / VPN Event Log

Event Type	Firewall event VPN event
Media	Local storage SNMP Trap Syslog server

Serial Interface

Console Port	RS-232 (TxD, RxD, GND), 3-pin (115200, n, 8, 1)
Connector	USB Type-C

Power Parameters

Connection	Removable terminal block
Input Voltage	12/24/48 VDC, redundant dual inputs
Operating Voltage	9.6 to 60 VDC
Input Current	1.01 A @ 12 VDC 0.51 A @ 24 VDC 0.27 A @ 48 VDC
Reverse Polarity Protection	Supported

Physical Characteristics

Housing	Metal
IP Rating	IP40
Dimensions	45 x 135 x 105 mm (1.77 x 5.31 x 4.13 in)
Weight	800 g (1.76 lb)
Installation	DIN-rail mounting Wall mounting (with optional kit)

Environmental Limits

Operating Temperature	Standard Models: -10 to 60°C (14 to 140°F) Wide Temp. Models: -40 to 75°C (-40 to 167°F)
Storage Temperature (package included)	-40 to 85°C (-40 to 185°F)
Ambient Relative Humidity	5 to 95% (non-condensing)

Standards and Certifications

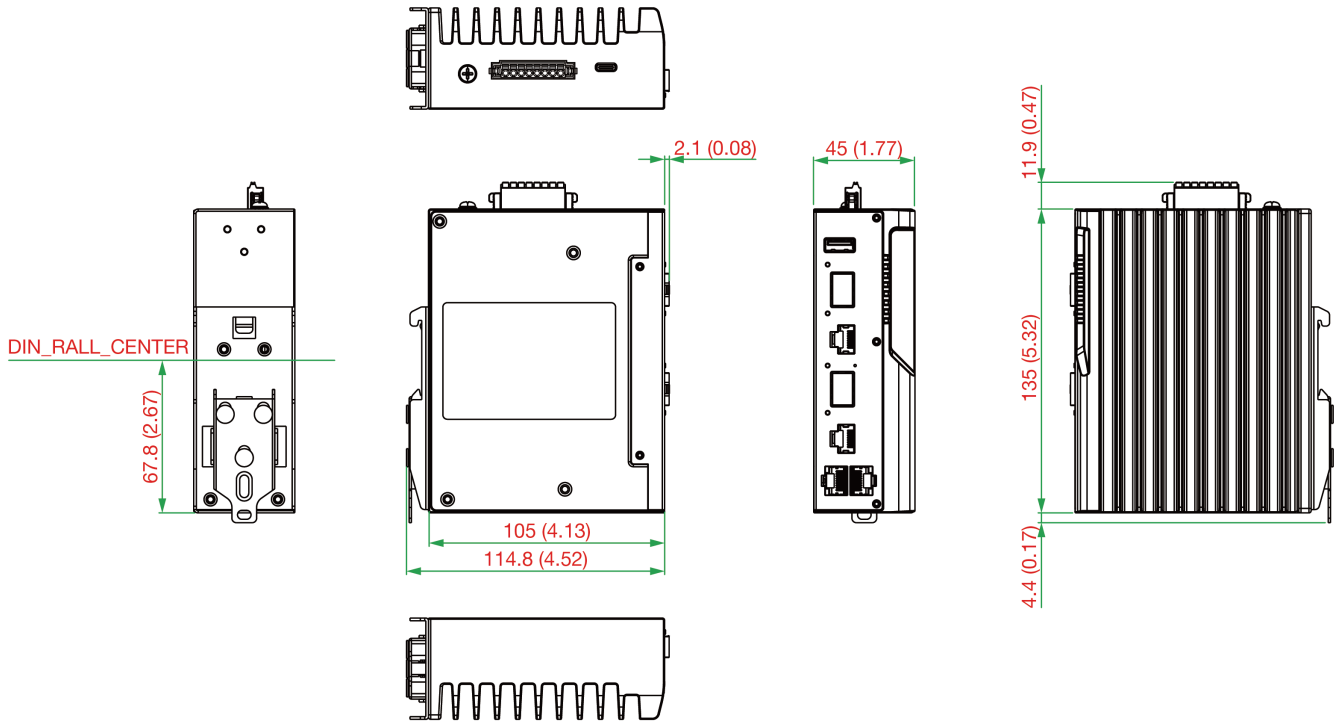
Safety	IEC 62368-1 UL 62368-1
EMC	EN 55032/35

EMI	CISPR 32, FCC Part 15B Class A
EMS	IEC 61000-4-2 ESD: Contact: 8 kV; Air: 15 kV IEC 61000-4-3 RS: 80 MHz to 1 GHz: 20 V/m IEC 61000-4-4 EFT: Power: 4 kV; Signal: 4 kV IEC 61000-4-5 Surge: Power: 2 kV; Signal: 4 kV IEC 61000-4-6 CS: 10 V IEC 61000-4-8 PFMF
Railway	EN 50121-4
Shock	IEC 60068-2-27
Freefall	IEC 60068-2-32
Vibration	IEC 60068-2-6
MTBF	
Time	1,876,185 hrs
Standards	Telcordia (Bellcore), GB
Warranty	
Warranty Period	5 years
Details	See www.moxa.com/warranty
Package Contents	
Device	1 x EDR-G9004 Series secure router
Cable	1 x DB9 female to USB Type-C
Documentation	1 x quick installation guide 1 x warranty card
Note	SFP modules need to be purchased separately for use with this product.

Dimensions

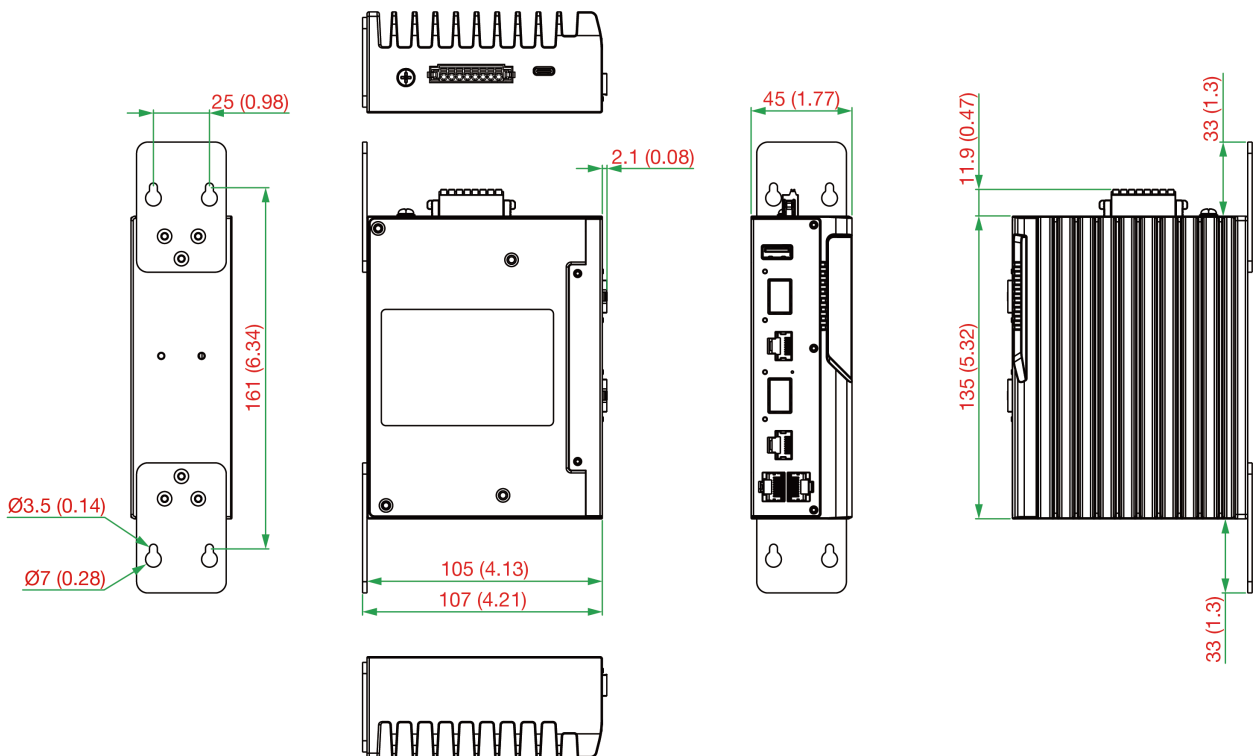
DIN-rail Mount

Unit: mm (inch)



Wall Mount

Unit: mm (inch)



Ordering Information

Model Name	10/100/ 1000BaseT(X) Ports (RJ45 Connector)	10/100/ 1000BaseT(X) or 1000BaseSFP Combo Ports	Firewall	NAT	VPN	Input Voltage	Conformal Coating	Operating Temp.
EDR-G9004-VPN-2MGTXSFP	2	2	✓	✓	✓	12/24/48 VDC	–	-10 to 60°C
EDR-G9004-VPN-2MGTXSFP-T	2	2	✓	✓	✓	12/24/48 VDC	–	-40 to 75°C
EDR-G9004-VPN-2MGTXSFP-CT	2	2	✓	✓	✓	12/24/48 VDC	✓	-10 to 60°C
EDR-G9004-VPN-2MGTXSFP-CT-T	2	2	✓	✓	✓	12/24/48 VDC	✓	-40 to 75°C

Accessories (sold separately)

Storage Kits

ABC-02-USB	Configuration backup and restoration tool, firmware upgrade, and log file storage tool for managed Ethernet switches and routers, 0 to 60°C operating temperature
ABC-02-USB-T	Configuration backup and restoration tool, firmware upgrade, and log file storage tool for managed Ethernet switches and routers, -40 to 75°C operating temperature

SFP Modules

SFP-1G10ALC	WDM-type (BiDi) SFP module with 1 1000BaseSFP port with LC connector for 10 km transmission; TX 1310 nm, RX 1550 nm, 0 to 60°C operating temperature
SFP-1G10ALC-T	WDM-type (BiDi) SFP module with 1 1000BaseSFP port with LC connector for 10 km transmission; TX 1310 nm, RX 1550 nm, -40 to 85°C operating temperature
SFP-1G10BLC	WDM-type (BiDi) SFP module with 1 1000BaseSFP port with LC connector for 10 km transmission; TX 1550 nm, RX 1310 nm, 0 to 60°C operating temperature
SFP-1G10BLC-T	WDM-type (BiDi) SFP module with 1 1000BaseSFP port with LC connector for 10 km transmission; TX 1550 nm, RX 1310 nm, -40 to 85°C operating temperature
SFP-1G20ALC	WDM-type (BiDi) SFP module with 1 1000BaseSFP port with LC connector for 20 km transmission; TX 1310 nm, RX 1550 nm, 0 to 60°C operating temperature
SFP-1G20ALC-T	WDM-type (BiDi) SFP module with 1 1000BaseSFP port with LC connector for 20 km transmission; TX 1310 nm, RX 1550 nm, -40 to 85°C operating temperature
SFP-1G20BLC	WDM-type (BiDi) SFP module with 1 1000BaseSFP port with LC connector for 20 km transmission; TX 1550 nm, RX 1310 nm, 0 to 60°C operating temperature
SFP-1G20BLC-T	WDM-type (BiDi) SFP module with 1 1000BaseSFP port with LC connector for 20 km transmission; TX 1550 nm, RX 1310 nm, -40 to 85°C operating temperature
SFP-1G40ALC	WDM-type (BiDi) SFP module with 1 1000BaseSFP port with LC connector for 40 km transmission; TX 1310 nm, RX 1550 nm, 0 to 60°C operating temperature
SFP-1G40ALC-T	WDM-type (BiDi) SFP module with 1 1000BaseSFP port with LC connector for 40 km transmission; TX 1310 nm, RX 1550 nm, -40 to 85°C operating temperature
SFP-1G40BLC	WDM-type (BiDi) SFP module with 1 1000BaseSFP port with LC connector for 40 km transmission; TX 1550 nm, RX 1310 nm, 0 to 60°C operating temperature
SFP-1G40BLC-T	WDM-type (BiDi) SFP module with 1 1000BaseSFP port with LC connector for 40 km transmission; TX 1550 nm, RX 1310 nm, -40 to 85°C operating temperature
SFP-1GEZXLC	SFP module with 1 1000BaseEZ port with LC connector for 110 km transmission, 0 to 60°C operating temperature
SFP-1GEZXLC-120	SFP module with 1 1000BaseEZ port with LC connector for 120 km transmission, 0 to 60°C operating temperature
SFP-1GLHLC	SFP module with 1 1000BaseLH port with LC connector for 30 km transmission, 0 to 60°C operating temperature
SFP-1GLHLC-T	SFP module with 1 1000BaseLH port with LC connector for 30 km transmission, -40 to 85°C operating temperature

SFP-1GLHXLC	SFP module with 1 1000BaseLHX port with LC connector for 40 km transmission, 0 to 60°C operating temperature
SFP-1GLHXLC-T	SFP module with 1 1000BaseLHX port with LC connector for 40 km transmission, -40 to 85°C operating temperature
SFP-1GLSXLC	SFP module with 1 1000BaseLSX port with LC connector for 1km/2km transmission, 0 to 60°C operating temperature
SFP-1GLSXLC-T	SFP module with 1 1000BaseLSX port with LC connector for 1km/2km transmission, -40 to 85°C operating temperature
SFP-1GLXLC	SFP module with 1 1000BaseLX port with LC connector for 10 km transmission, 0 to 60°C operating temperature
SFP-1GLXLC-T	SFP module with 1 1000BaseLX port with LC connector for 10 km transmission, -40 to 85°C operating temperature
SFP-1GSXLC	SFP module with 1 1000BaseSX port with LC connector for 300m/550m transmission, 0 to 60°C operating temperature
SFP-1GSXLC-T	SFP module with 1 1000BaseSX port with LC connector for 300m/550m transmission, -40 to 85°C operating temperature
SFP-1GZXLC	SFP module with 1 1000BaseZX port with LC connector for 80 km transmission, 0 to 60°C operating temperature
SFP-1GZXLC-T	SFP module with 1 1000BaseZX port with LC connector for 80 km transmission, -40 to 85°C operating temperature
SFP-1GTXRJ45-T	SFP module with 1 1000BaseT port with RJ45 connector for 100 m transmission, -40 to 75°C operating temperature
SFP-2.5GLSLC-T	SFP module with 1 2.5GBaseFX port with LC connector, single-mode, for 20 km transmission, -40 to 85 °C operating temperature
SFP-2.5GLSLC-T	SFP module with 1 2.5GBaseFX port with LC connector, single-mode, for 5 km transmission, -40 to 85 °C operating temperature
SFP-2.5GMLC-T	SFP module with 1 2.5GBaseFX port with LC connector, multi-mode, for 170, 200, 550, 600 m transmission, -40 to 85 °C operating temperature
SFP-2.5GSLHLC-T	SFP module with 1 2.5GBaseFX port with LC connector, single-mode, for 45 km transmission, -40 to 85 °C operating temperature

Wall-Mounting Kits

WK-40-01	Wall-mounting kit, 2 plates, 6 screws, 40 x 58 x 2 mm
----------	---

Software

LIC-MXsecurity-NEW-XN-SR	MXsecurity perpetual node license with customizable node quantity (minimum 1 node)
LIC-IPS-MXsecurity-NEW-1Y-XN-SR	1-year IPS license for MXsecurity with customizable node quantity (minimum 1 node)
LIC-IPS-MXsecurity-NEW-XM-XN-DMR	IPS license for MXsecurity with customizable duration and node quantity (minimum 1 month, minimum 1 node)
LIC-IPS-MXsecurity-RENEW-1Y-XN-SR	1-year IPS renewal license for MXsecurity with customizable node quantity (minimum 1 node)
LIC-IPS-MXsecurity-RENEW-XM-XN-DMR	IPS renewal license for MXsecurity with customizable duration and node quantity (minimum 1 month, minimum 1 node)
LIC-IPS-MXsecurity-ADD-1Q-XN-SR	3-month IPS add-on license for MXsecurity with customizable node quantity (minimum 1 node)
LIC-IPS-MXsecurity-ADD-2Q-XN-SR	6-month IPS add-on license for MXsecurity with customizable node quantity (minimum 1 node)
LIC-IPS-MXsecurity-ADD-3Q-XN-SR	9-month IPS add-on license for MXsecurity with customizable node quantity (minimum 1 node)
LIC-IPS-MXsecurity-ADD-4Q-XN-SR	1-year IPS add-on license for MXsecurity with customizable node quantity (minimum 1 node)
LIC-IPS-MXsecurity-ADD-XM-XN-DMR	IPS add-on license for MXsecurity with customizable duration and node quantity (minimum 1 month, minimum 1 node)
LIC-IPS-DEVICE-NEW-1Y-1N-MR	1-year device-based IPS license
LIC-IPS-DEVICE-RENEW-1Y-1N-MR	1-year device-based IPS renewal license

© Moxa Inc. All rights reserved. Updated Oct 11, 2024.

This document and any portion thereof may not be reproduced or used in any manner whatsoever without the express written permission of Moxa Inc. Product specifications subject to change without notice. Visit our website for the most up-to-date product information.