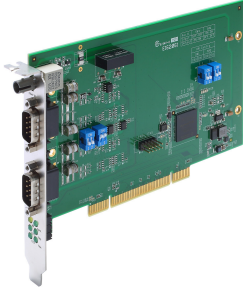


DA-IRIG-B-S 系列擴充模組

具備 2 埠和 4 埠時間同步連接埠的擴充模組



特色與優點

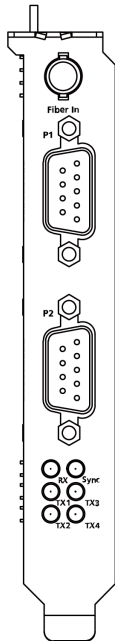
- 2 埠 IRIG-B 時間同步模組
- 4 埠 IRIG-B 時間同步模組

簡介

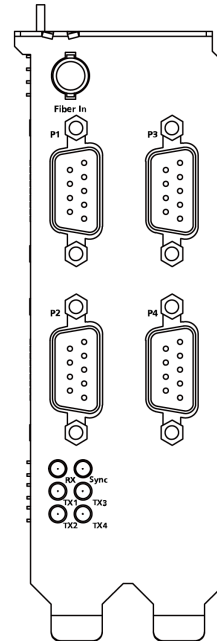
DA-IRIG-B-S 模組具有 3 個數位輸入和 4 個數位輸出，並使用 IRIG-B 輸入訊號提供精密定時資訊。此模組專為支援 PCI/104 介面的嵌入式電腦所設計。

外觀

DA-IRIG-B-S-02-T



DA-IRIG-B-S-04-T



規格

IRIG-B Interface

Interface	DA-IRIG-B-S-02-T: 2 x DB9 male and 1x ST Fiber port DA-IRIG-B-S-04-T: 4 x DB9 male and 1x ST Fiber port
Input Signal	Single or Differential

Input Signal Level	Single: High -> Open, Low -> Short to GND Differential: D+ - D- > 0.2 V, RxD is High, D+ - D- < -0.2 V, RxD is Low
Accuracy (Time Synchronization)	±1 µs
Accuracy (Free Running)	±500 ms @ 24 hr

Hardware Requirements

Bus	PCI slots x 1
-----	---------------

Physical Characteristics

Dimensions (without ears)	167.64 x 106.68 mm (6.6 x 4.2 in)
Weight	DA-IRIG-B-S-02-T: 120 g (0.26 lb) DA-IRIG-B-S-04-T: 170 g (0.37 lb)

Environmental Limits

Operating Temperature	-40 to 75°C (-40 to 167°F)
Storage Temperature (package included)	-40 to 85°C (-40 to 185°F)
Ambient Relative Humidity	5 to 95% (non-condensing)

Declaration

Green Product	RoHS, CRoHS, WEEE
---------------	-------------------

MTBF

Time	DA-IRIG-B-S-02-T: 1,210,356 hrs DA-IRIG-B-S-04-T: 855,470 hrs
Standards	Telcordia (Bellcore), GB

Warranty

Warranty Period	3 years
Details	See www.moxa.com/tw/warranty

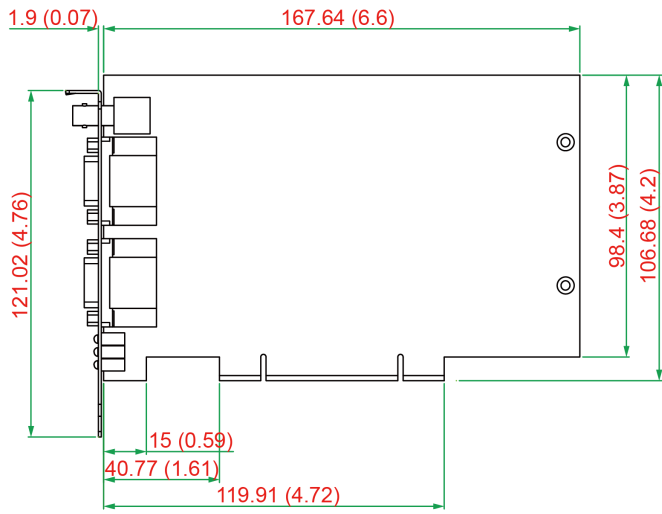
Package Contents

Device	1 x DA-IRIG-B-S Series expansion module
Documentation	1 x warranty card

尺寸

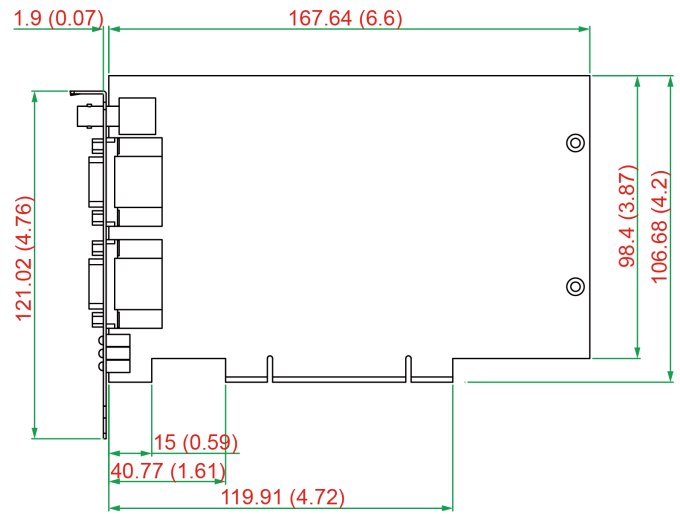
DA-IRIG-B-S-02-T

單位：公釐 (英吋)



DA-IRIG-B-S-04-T

單位：公釐 (英吋)



訂購資訊

Model Name	ST Fiber (in)	DB9 Male (in)	DB9 Male (out)
DA-IRIG-B-S-02-T	1	1	1
DA-IRIG-B-S-04-T	1	1	3

© Moxa Inc. 版權所有. 更新。

未經 Moxa Inc. 明確書面許可，不得以任何方式複製或使用本文件及其任何部分。產品規格如有變更，恕不另行通知。請至本公司官網了解最新的產品資訊。