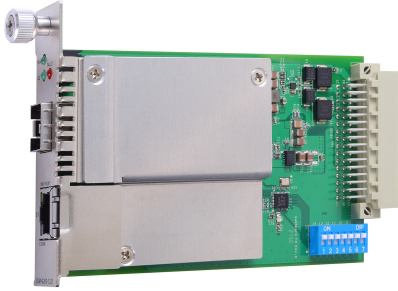


CSM-G200 系列

適用於 NRack System™ 的 10/100/1000BaseT(X) 轉 100/1000BaseSFP 滑入式媒體轉換器模組



特色與優點

- 支援 LFP (故障轉移) 和 FEF (遠端故障) 功能
- 支援兩種不同操作模式：保存轉發和透傳
- 自動協商
- 隨插即用
- 可熱插拔
- 支援 10 KB 巨型封包

認證



簡介

CSM-G200 滑入式乙太網路轉光纖媒體轉換器專為 NRack System™ 所設計。此模組提供 10/100/1000BaseT(X) 轉 100/1000BaseFX (ST 接頭) 的媒體轉換，並可安裝在任何 NRack System™ 機箱中。

規格

Ethernet Interface

| | |
|--|-------|
| 100/1000BaseSFP Ports | 1 |
| 10/100/1000BaseT(X) Ports (RJ45 connector) | 1 |
| Jumbo Frame Size | 10 KB |

Power Parameters

| | |
|-----------------------------|-----------------|
| Input Current | 185 mA @ 12 VDC |
| Input Voltage | 12 VDC |
| Overload Current Protection | Supported |

Physical Characteristics

| | |
|------------|--|
| Dimensions | 86.8 x 124.3 x 21 mm (3.42 x 4.89 x 0.83 in) |
| Weight | Product only: 140 g (0.31 lb) |

Environmental Limits

| | |
|--|----------------------------|
| Operating Temperature | 0 to 55°C (32 to 131°F) |
| Storage Temperature (package included) | -40 to 85°C (-40 to 185°F) |
| Ambient Relative Humidity | 5 to 95% (non-condensing) |

Standards and Certifications

| | |
|-----------------------|--|
| EMC | EN 55032/35 |
| EMI | CISPR 32, FCC Part 15B Class A |
| EMS | IEC 61000-4-2 ESD: Contact: 4 kV; Air: 8 kV IEC 61000-4-3 RS: 80 MHz to 1 GHz: 3 V/m IEC 61000-4-4 EFT: Power: 1 kV; Signal: 0.5 kV IEC 61000-4-5 Surge: Power: 1 kV; Signal: 1 kV IEC 61000-4-6 CS: 150 kHz to 80 MHz: 3 V/m; Signal: 3 V/m IEC 61000-4-8 PFMF: 30 A/m |
| Environmental Testing | IEC 60068-2-1 IEC 60068-2-14 IEC 60068-2-2 IEC 60068-2-3 |
| Vibration | IEC 60068-2-6 |

MTBF

| | |
|-----------|---------------|
| Time | 1,579,447 hrs |
| Standards | MIL-HDBK-217F |

Warranty

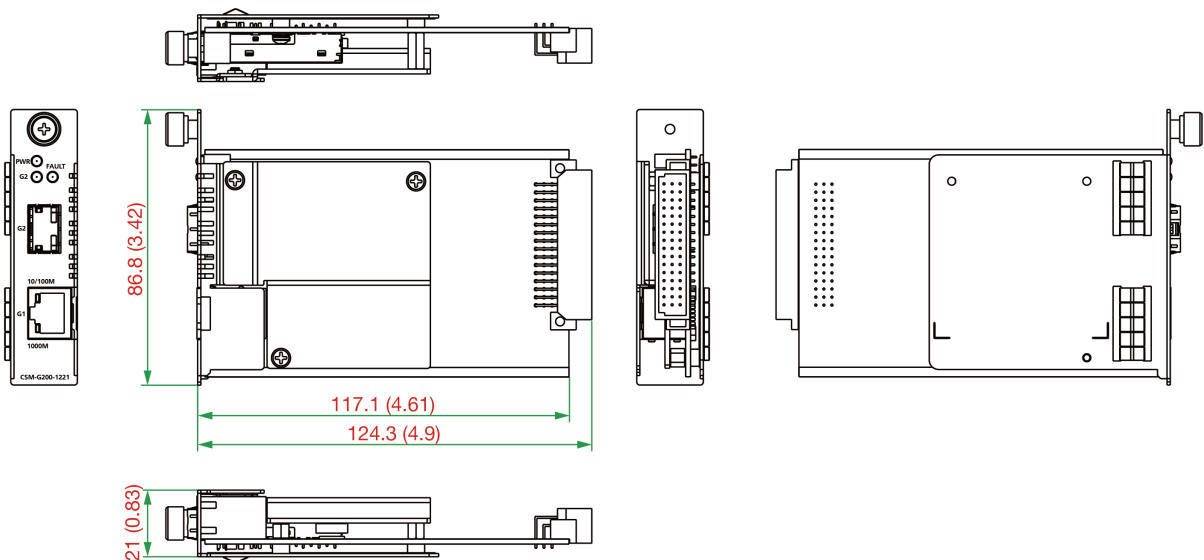
| | |
|-----------------|--|
| Warranty Period | 5 years |
| Details | See www.moxa.com/tw/warranty |

Package Contents

| | |
|---------------|---|
| Device | 1 x CSM-G200 Series module |
| Documentation | 1 x quick installation guide 1 x warranty card |

尺寸

單位：公釐 (英吋)



訂購資訊

| Model Name | Fiber Module Type |
|---------------|-------------------|
| CSM-G200-1221 | SFP |

配件 (選購)

SFP Modules

| | |
|-----------------|--|
| SFP-1G10ALC | WDM-type (BiDi) SFP module with 1 1000BaseSFP port with LC connector for 10 km transmission; TX 1310 nm, RX 1550 nm, 0 to 60°C operating temperature |
| SFP-1G10ALC-T | WDM-type (BiDi) SFP module with 1 1000BaseSFP port with LC connector for 10 km transmission; TX 1310 nm, RX 1550 nm, -40 to 85°C operating temperature |
| SFP-1G10BLC | WDM-type (BiDi) SFP module with 1 1000BaseSFP port with LC connector for 10 km transmission; TX 1550 nm, RX 1310 nm, 0 to 60°C operating temperature |
| SFP-1G10BLC-T | WDM-type (BiDi) SFP module with 1 1000BaseSFP port with LC connector for 10 km transmission; TX 1550 nm, RX 1310 nm, -40 to 85°C operating temperature |
| SFP-1G20ALC | WDM-type (BiDi) SFP module with 1 1000BaseSFP port with LC connector for 20 km transmission; TX 1310 nm, RX 1550 nm, 0 to 60°C operating temperature |
| SFP-1G20ALC-T | WDM-type (BiDi) SFP module with 1 1000BaseSFP port with LC connector for 20 km transmission; TX 1310 nm, RX 1550 nm, -40 to 85°C operating temperature |
| SFP-1G20BLC | WDM-type (BiDi) SFP module with 1 1000BaseSFP port with LC connector for 20 km transmission; TX 1550 nm, RX 1310 nm, 0 to 60°C operating temperature |
| SFP-1G20BLC-T | WDM-type (BiDi) SFP module with 1 1000BaseSFP port with LC connector for 20 km transmission; TX 1550 nm, RX 1310 nm, -40 to 85°C operating temperature |
| SFP-1G40ALC | WDM-type (BiDi) SFP module with 1 1000BaseSFP port with LC connector for 40 km transmission; TX 1310 nm, RX 1550 nm, 0 to 60°C operating temperature |
| SFP-1G40ALC-T | WDM-type (BiDi) SFP module with 1 1000BaseSFP port with LC connector for 40 km transmission; TX 1310 nm, RX 1550 nm, -40 to 85°C operating temperature |
| SFP-1G40BLC | WDM-type (BiDi) SFP module with 1 1000BaseSFP port with LC connector for 40 km transmission; TX 1550 nm, RX 1310 nm, 0 to 60°C operating temperature |
| SFP-1G40BLC-T | WDM-type (BiDi) SFP module with 1 1000BaseSFP port with LC connector for 40 km transmission; TX 1550 nm, RX 1310 nm, -40 to 85°C operating temperature |
| SFP-1GEZXLC | SFP module with 1 1000BaseEZX port with LC connector for 110 km transmission, 0 to 60°C operating temperature |
| SFP-1GEZXLC-120 | SFP module with 1 1000BaseEZX port with LC connector for 120 km transmission, 0 to 60°C operating temperature |
| SFP-1GLHLC | SFP module with 1 1000BaseLH port with LC connector for 30 km transmission, 0 to 60°C operating temperature |
| SFP-1GLHLC-T | SFP module with 1 1000BaseLH port with LC connector for 30 km transmission, -40 to 85°C operating temperature |
| SFP-1GLHXLC | SFP module with 1 1000BaseLHX port with LC connector for 40 km transmission, 0 to 60°C operating temperature |
| SFP-1GLHXLC-T | SFP module with 1 1000BaseLHX port with LC connector for 40 km transmission, -40 to 85°C operating temperature |
| SFP-1GSXLC | SFP module with 1 1000BaseSX port with LC connector for 300m/550m transmission, 0 to 60°C operating temperature |
| SFP-1GSXLC-T | SFP module with 1 1000BaseSX port with LC connector for 300m/550m transmission, -40 to 85°C operating temperature |
| SFP-1GLSXLC | SFP module with 1 1000BaseLSX port with LC connector for 1km/2km transmission, 0 to 60°C operating temperature |
| SFP-1GLSXLC-T | SFP module with 1 1000BaseLSX port with LC connector for 1km/2km transmission, -40 to 85°C operating temperature |
| SFP-1GZXLC | SFP module with 1 1000BaseZX port with LC connector for 80 km transmission, 0 to 60°C operating temperature |
| SFP-1GZXLC-T | SFP module with 1 1000BaseZX port with LC connector for 80 km transmission, -40 to 85°C operating temperature |
| SFP-1GLXLC | SFP module with 1 1000BaseLX port with LC connector for 10 km transmission, 0 to 60°C operating temperature |
| SFP-1GLXLC-T | SFP module with 1 1000BaseLX port with LC connector for 10 km transmission, -40 to 85°C operating temperature |

| | |
|--------------|---|
| SFP-1FELLC-T | SFP module with 1 100Base single-mode with LC connector for 80 km transmission, -40 to 85°C operating temperature |
| SFP-1FEMLC-T | SFP module with 1 100Base multi-mode, LC connector for 2/4 km transmission, -40 to 85°C operating temperature |
| SFP-1FESLC-T | SFP module with 1 100Base single-mode with LC connector for 40 km transmission, -40 to 85°C operating temperature |

© Moxa Inc. 版權所有.2022 年 7 月 12 日更新。

未經 Moxa Inc. 明確書面許可，不得以任何方式複製或使用本文件及其任何部分。產品規格如有變更，恕不另行通知。請至本公司官網了解最新的產品資訊。