

# DRP-C100 系列

配備有 Tiger Lake 第 11 代 Intel® Core™ 處理器基礎型號和高解析介面型號的 DIN 導軌電腦



## 特色與優點

- 採用無風扇設計的 DIN 導軌安裝電腦
- Intel® Celeron® 或 Intel® Core™ i5, 或 i7 處理器
- 豐富介面選項，最多 8 個串列埠和 10 個 LAN 連接埠
- 精巧型尺寸，適合多數的現場應用
- -30°C 至 60°C 操作溫度範圍

## 認證



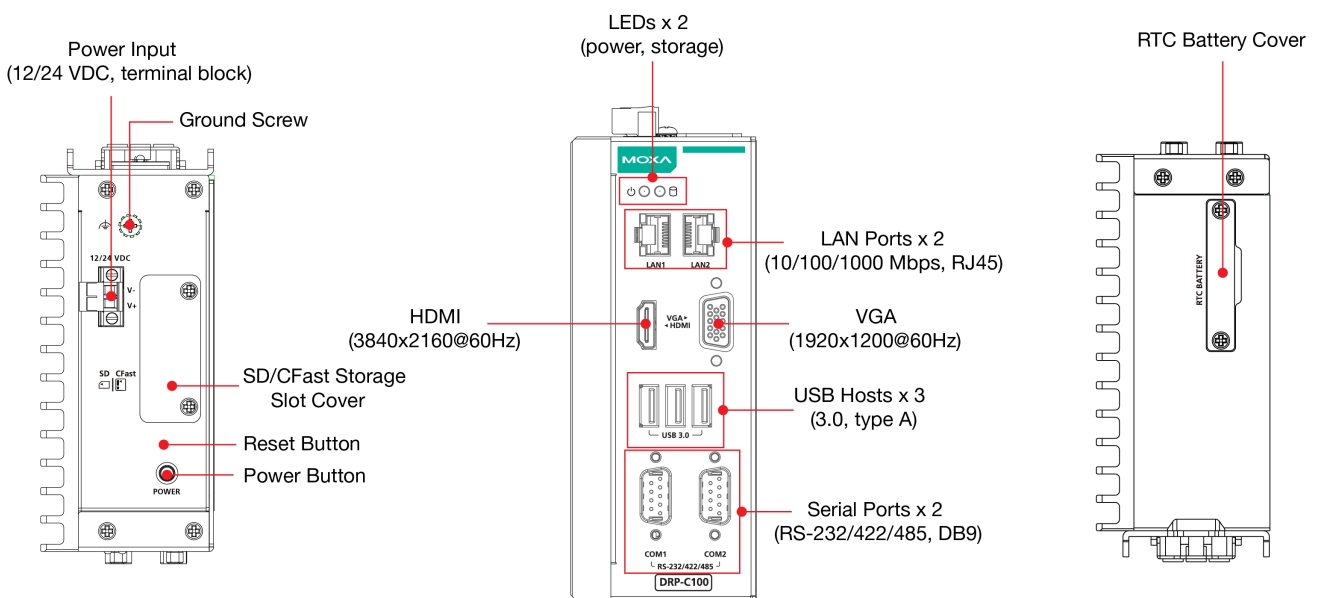
## 簡介

DRP-C100 系列 DIN 導軌安裝電腦由 Intel® Celeron® 或 Intel® Core™ i5 或 i7 處理器供電。此電腦配備有豐富的介面選項，包括多達 8 種軟體可選的 RS-232/422/485 串列埠，以及多達 10 個千兆位元乙太網路連接埠。通訊介面位於產品的正面和背面，方便工業應用的存取和擴充。包含 CFast 和 SD 插槽的雙儲存設計輕鬆達成儲存擴充。獨特的電池扣蓋可固定電池定位，並確保在所有操作環境下的穩定性，而電池槽的活板設計可輕鬆更換電池，且無需拆蓋。

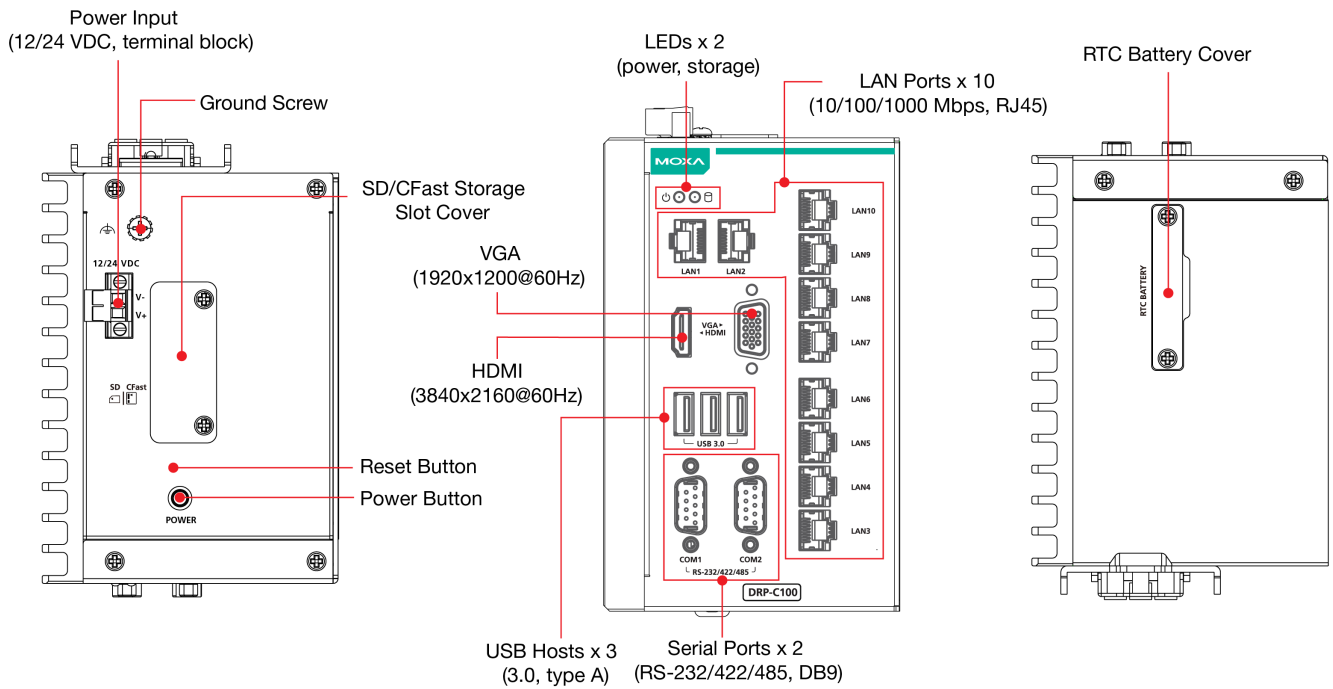
DRP-C100 精巧型電腦採用無風扇設計，可承受 -30 至 60°C 的溫度範圍，非常適合惡劣的操作環境。內建 TPM 2.0 模組可確保平台免受未經授權的存取。DRP-C100 系列是一款智慧、可靠、耐用、多功能且友善使用者的運算解決方案，可滿足工業環境中的 OT 和 IT 雙需求。

## 外觀

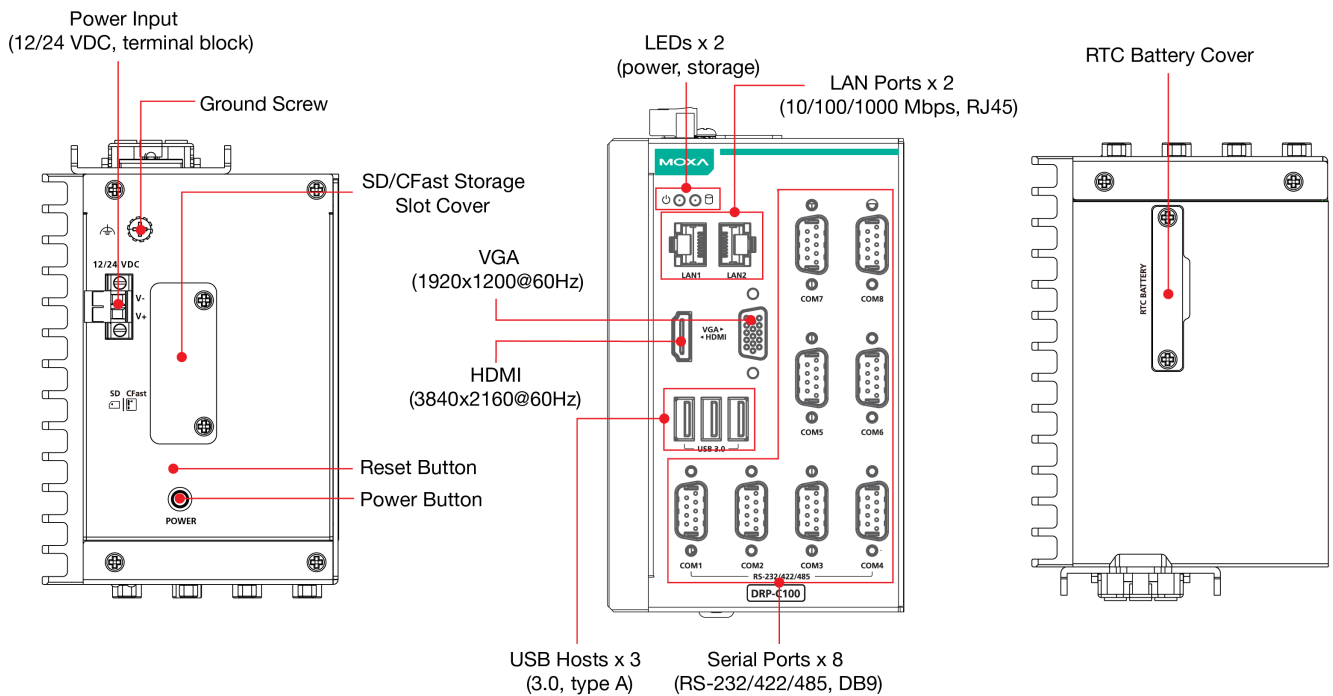
**DRP-C100-C1-T/DRP-C100-C5-T/DRP-C100-C7-T/DRP-C100-C1-T-Win10/DRP-C100-C5-T-Win10/DRP-C100-C7-T-Win10 型號**



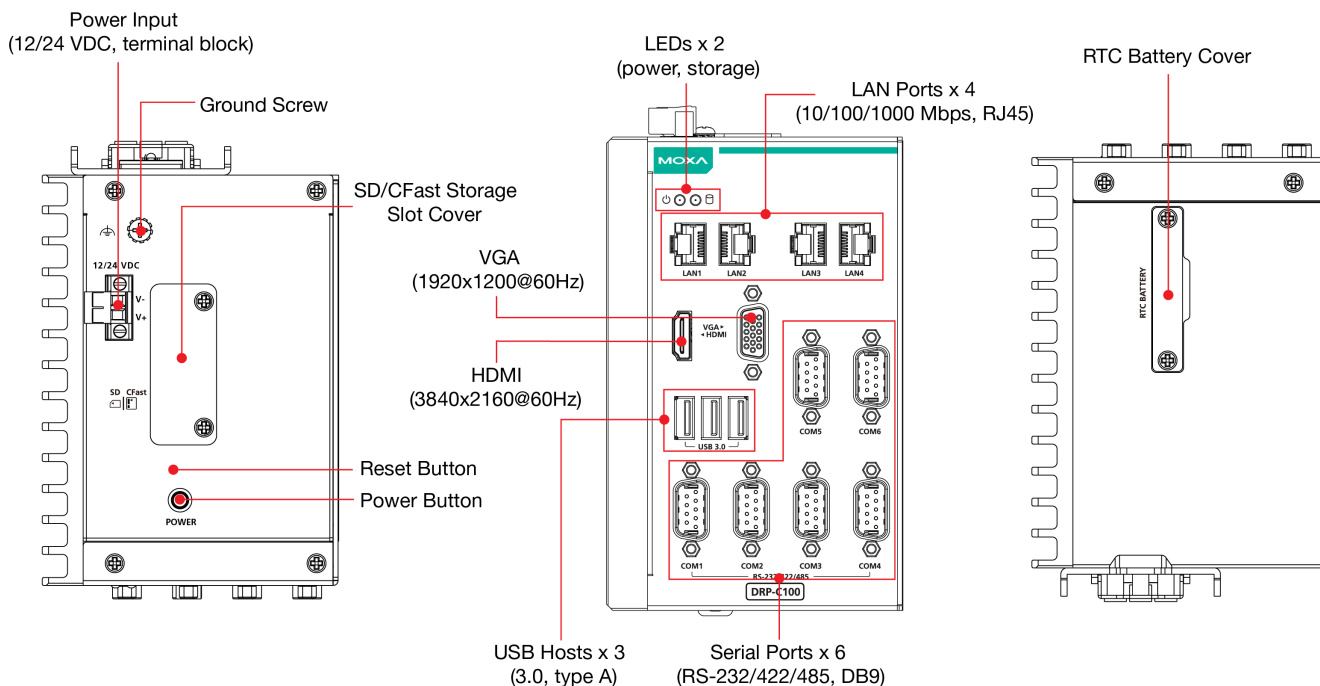
**DRP-C100-C1-8L-T/DRP-C100-C5-8L-T/DRP-C100-C7-8L-T 型號**



**DRP-C100-C1-6C-T/DRP-C100-C5-6C-T/DRP-C100-C7-6C-T 型號**



**DRP-C100-C1-2L4C-T/DRP-C100-C5-2L4C-T/DRP-C100-C7-2L4C-T 型號**



**規格**

**Computer**

CPU	DRP-C100-C1 Models: Intel® Celeron® 6305E (Dual core, 4M cache, 1.80 GHz) DRP-C100-C5 Models: Intel® Core™ Processor i5-1145G7E (Quad core, 8M cache, 2.60 GHz, Base:1.50 GHz) DRP-C100-C7 Models: Intel® Core™ Processor i7-1185G7E (Quad core, 12M cache, 2.80 GHz, Base:1.80 GHz)
System Memory Slot	SODIMM DDR4 slots x 1, up to 32 GB max.
System Memory Pre-installed	8 GB DDR4
Storage Slot	CFast slot x 1 (SATAIII interface) SD slots x 1, SD 3.0 interface (SDHC/SDXC)
Storage Pre-installed	DRP-C100-C1-T-Win10/C5-T-Win10/C7-T-Win10 Models: 64 GB CFast card
Supported OS	Windows Images and Drivers Supported: - Windows 10 IoT Enterprise LTSC 2021 64-bit - Windows 11 Professional 64-bit  Linux Drivers Supported: - Debian 11 (kernel 5.10) - Ubuntu 22.04 LTS (kernel 5.15) - RHEL 9 (kernel 5.14)
Graphics Controller	Intel® UHD Graphics

**Computer Interface**

Ethernet Ports	DRP-C100-C1-8L-T/C5-8L-T/C7-8L-T: Auto-sensing 10/100/1000 Mbps ports (RJ45 connector) x 10 DRP-C100-C1-2L4C-T/C5-2L4C-T/C7-2L4C-T: Auto-sensing 10/100/1000 Mbps ports (RJ45 connector) x 4 All Other Models: Auto-sensing 10/100/1000 Mbps ports (RJ45 connector) x 2
Serial Ports	DRP-C100-C1-6C-T/C5-6C-T/C7-6C-T:

	RS-232/422/485 ports x 8, software selectable (DB9 male) x 8 DRP-C100-C1-2L4C-T/C5-2L4C-T/C7-2L4C-T: RS-232/422/485 ports x 6, software selectable (DB9 male) x 6 All Other Models: RS-232/422/485 ports x 2, software selectable (DB9 male) x 2
USB 3.0	USB 3.0 hosts x 3, type-A connectors
TPM	TPM v2.0
Video Output	HDMI 2.0b x 1, (type A connector) VGA x 1, 15-pin D-sub connector (female)
Buttons	Reset button Power button

#### Ethernet Interface

Magnetic Isolation Protection	1.5 kV (built-in)
-------------------------------	-------------------

#### Serial Interface

Baudrate	50 bps to 115.2 kbps
Connector	DB9 male
Data Bits	5, 6, 7, 8
Parity	None, Even, Odd, Space, Mark
Stop Bits	1, 1.5, 2
Flow Control	RTS/CTS, XON/XOFF

#### Serial Signals

RS-232	TxD, RxD, RTS, CTS, DTR, DSR, DCD, GND
RS-422	Tx+, Tx-, Rx+, Rx-, GND
RS-485-2w	Data+, Data-, GND
RS-485-4w	Tx+, Tx-, Rx+, Rx-, GND

#### LED Indicators

System	Power x 1 Storage x 1
LAN	2 per port (10/100/1000 Mbps)

#### Power Parameters

Input Voltage	12/24 VDC
Power Connector	Screw-fastened Euroblock terminal
Power Consumption	90 W

#### Physical Characteristics

Housing	Metal
IP Rating	IP20
Dimensions	DRP-C100-C1-T/C1-T-Win10/DRP-C100-C5-T/C5-T-Win10/DRP-C100-C7-T/-C7-TWin10: 60 x 130 x 150 mm (2.36 x 5.12 x 5.91 in) All Other Models: 94 x 130 x 150 mm (3.70 x 5.12 x 5.91 in)

Weight	DRP-C100-C1-T/C1-T-Win10/DRP-C100-C5-T/C5-T-Win10/DRP-C100-C7-T/-C7-TWin10: 1,213 g (2.67 lb) All Other Models: 1.612 g (3.55 lb)
Installation	DIN-rail mounting

### Declaration

Green Product	RoHS, CRoHS, WEEE
---------------	-------------------

### Environmental Limits

Operating Temperature	-30 to 60°C (-22 to 140°F)
Storage Temperature	-40 to 75°C (-40 to 167°F)
Ambient Relative Humidity	5 to 95% (non-condensing)

### Standards and Certifications

EMC	EN 55032/35
EMI	CISPR 32, FCC Part 15B Class A BSMI
EMS	IEC 61000-4-2 ESD: Contact: 4 kV; Air: 8 kV IEC 61000-4-3 RS: 80 MHz to 1 GHz: 3 V/m IEC 61000-4-4 EFT: Power: 0.5 kV; Signal: 0.5 kV IEC 61000-4-5 Surge: Power: 0.5 kV, Signal: 1 kV IEC 61000-4-6 CS: 3 V IEC 61000-4-8 PFMF: 1 A/m at 50 to 60 Hz
Safety	UL 62368-1 (CB) BSMI
Shock	IEC 60068-2-27
Vibration	IEC 60068-2-64
Package Drop Test	ISTA 1A
Package Vibration Test	ISTA 1A

### Reliability

Time Source	Built-in RTC (real-time clock) with lithium-battery backup
Automatic Reboot Trigger	Built-in WDT

### MTBF

Time	584.337 hrs
Standards	Telcordia (Bellcore), GB

### Warranty

Warranty Period	3 years
Details	See <a href="http://www.moxa.com/tw/warranty">www.moxa.com/tw/warranty</a>

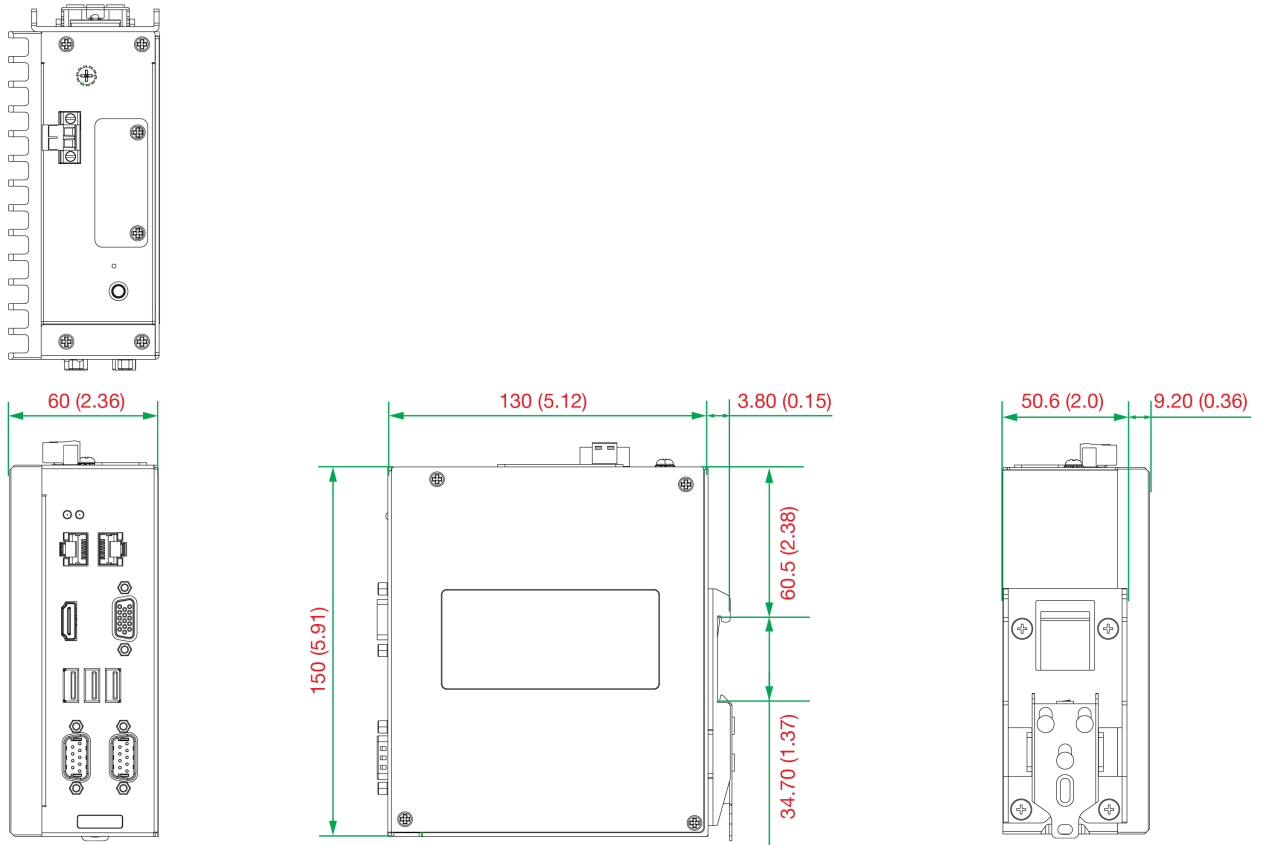
## Package Contents

Device	1 x DRP-C100 Series computer with DIN-rail ears attached
Installation Kit	1 x terminal block, 2-pin, for DC power
Documentation	1 x quick installation guide 1 x warranty card

## 尺寸

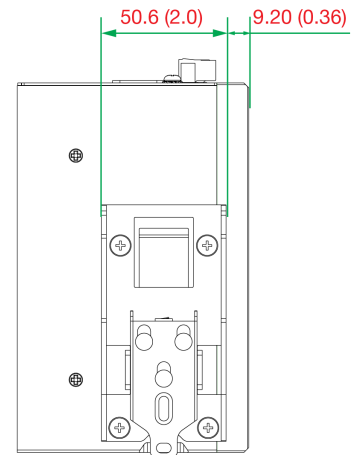
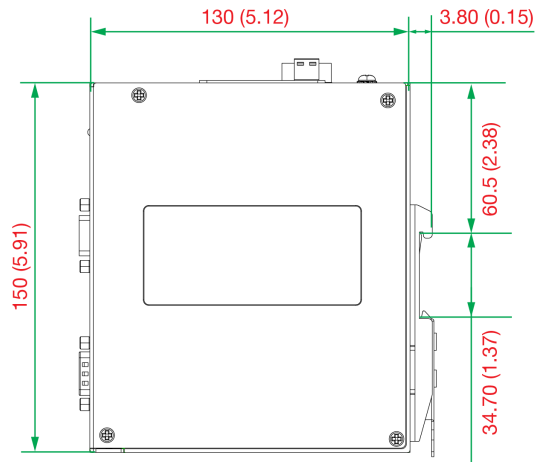
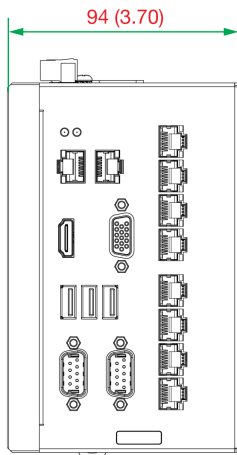
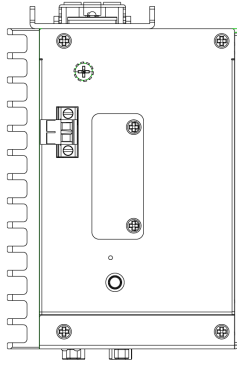
### DRP-C100-C1-T/DRP-C100-C5-T/DRP-C100-C7-T 型號

單位：公釐 (英吋)



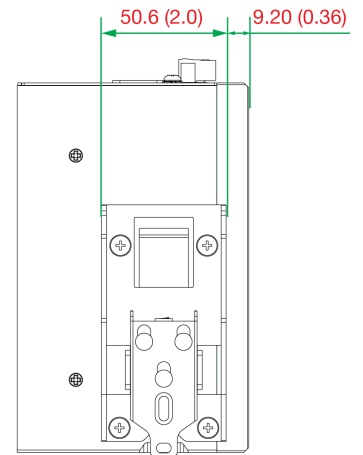
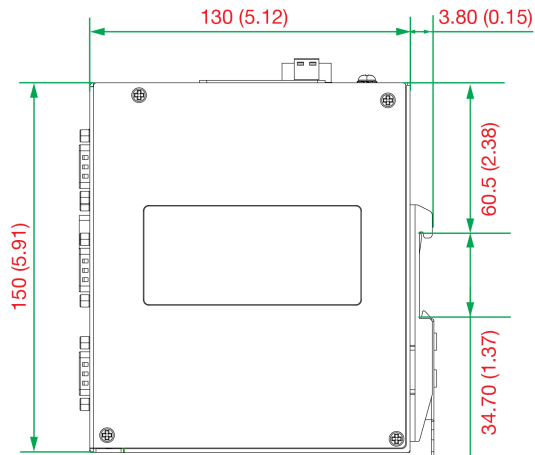
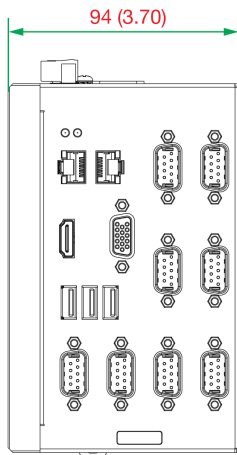
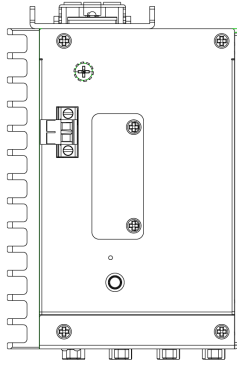
DRP-C100-C1-8L-T/DRP-C100-C5-8L-T/DRP-C100-C7-8L-T 型號

單位：公釐（英吋）



DRP-C100-C1-6C-T/DRP-C100-C5-6C-T/DRP-C100-C7-6C-T 型號

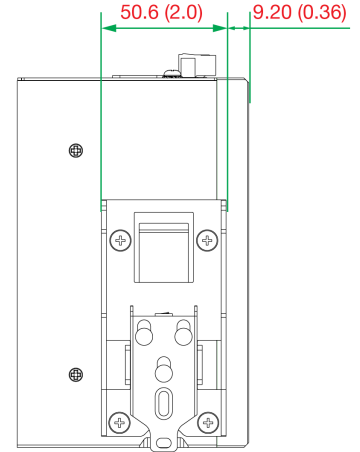
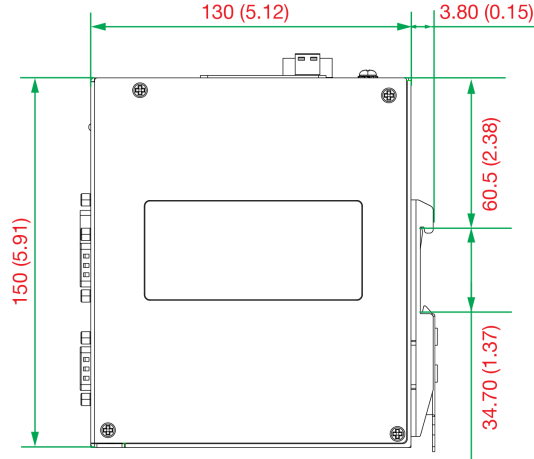
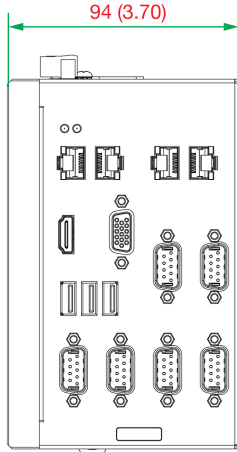
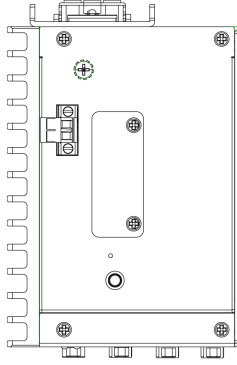
單位：公釐 (英吋)





## DRP-C100-C1-2L4C-T/DRP-C100-C5-2L4C-T/DRP-C100-C7-2L4C-T 型號

單位：公釐（英吋）



## 訂購資訊

Model Name	CPU	Memory	Storage Slots	OS Preinstalled	LAN/Serial	USB 3.0	Video Outputs	Power Input
DRP-C100-C1-T	Intel® Celeron® 6305E	8 GB	1 x CFast 1 x SD	-	2/2	3	1 x VGA 1 x HDMI	12/24 VDC
DRP-C100-C1-T-Win10	Intel® Celeron® 6305E	8 GB	1 x CFast 1 x SD	Win 10 LTSC 64 GB CFast	2/2	3	1 x VGA 1 x HDMI	12/24 VDC
DRP-C100-C1-8L-T	Intel® Celeron® 6305E	8 GB	1 x CFast 1 x SD	-	10/2	3	1 x VGA 1 x HDMI	12/24 VDC
DRP-C100-C1-6C-T	Intel® Celeron® 6305E	8 GB	1 x CFast 1 x SD	-	2/8	3	1 x VGA 1 x HDMI	12/24 VDC
DRP-C100-C1-2L4C-T	Intel® Celeron® 6305E	8 GB	1 x CFast 1 x SD	-	4/6	3	1 x VGA 1 x HDMI	12/24 VDC
DRP-C100-C5-T	Intel® Core™ i5-1145G7E	8 GB	1 x CFast 1 x SD	-	2/2	3	1 x VGA 1 x HDMI	12/24 VDC
DRP-C100-C5-T-Win10	Intel® Core™ i5-1145G7E	8 GB	1 x CFast 1 x SD	Win 10 LTSC 64 GB Cfast	2/2	3	1 x VGA 1 x HDMI	12/24 VDC
DRP-C100-C5-8L-T	Intel® Core™ i5-1145G7E	8 GB	1 x CFast 1 x SD	-	10/2	3	1 x VGA 1 x HDMI	12/24 VDC
DRP-C100-C5-6C-T	Intel® Core™ i7-1185G7E	8 GB	1 x CFast 1 x SD	-	2/8	3	1 x VGA 1 x HDMI	12/24 VDC
DRP-C100-C5-2L4C-T	Intel® Core™ i5-1145G7E	8 GB	1 x CFast 1 x SD	-	4/6	3	1 x VGA 1 x HDMI	12/24 VDC

Model Name	CPU	Memory	Storage Slots	OS Preinstalled	LAN/Serial	USB 3.0	Video Outputs	Power Input
DRP-C100-C7-T	Intel® Core™ i7-1185G7E	8 GB	1 x CFast 1 x SD	-	2/2	3	1 x VGA 1 x HDMI	12/24 VDC
DRP-C100-C7-T-Win10	Intel® Core™ i7-1185G7E	8 GB	1 x CFast 1 x SD	Win 10 LTSC 64 GB Cfast	2/2	3	1 x VGA 1 x HDMI	12/24 VDC
DRP-C100-C7-8L-T	Intel® Core™ i7-1185G7E	8 GB	1 x CFast 1 x SD	-	10/2	3	1 x VGA 1 x HDMI	12/24 VDC
DRP-C100-C7-6C-T	Intel® Core™ i7-1185G7E	8 GB	1 x CFast 1 x SD	-	2/8	3	1 x VGA 1 x HDMI	12/24 VDC
DRP-C100-C7-2L4C-T	Intel® Core™ i7-1185G7E	8 GB	1 x CFast 1 x SD	-	4/6	3	1 x VGA 1 x HDMI	12/24 VDC

© Moxa Inc. 版權所有.2023 年 11 月 28 日更新。

未經 Moxa Inc. 明確書面許可，不得以任何方式複製或使用本文件及其任何部分。產品規格如有變更，恕不另行通知。請至本公司官網了解最新的產品資訊。