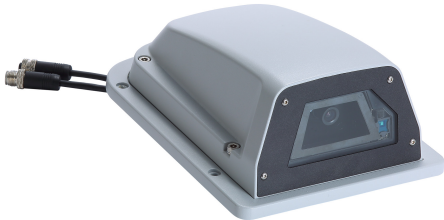


VPort 06EC-2V 系列

EN 50155、1080p 解析度、日夜兩用戶外型網路攝影機



特色與優點

- IP67 防護等級
- 內建正面玻璃螢幕加熱器，可消除冰霜
- 1/3 吋逐行掃描攝影機，最高支援 1920 x 1080 之解析度及可達 30 fps
- iCapTrue™ 影像強化技術
- DynaStream™ 技術優化網路效能
- CBR Pro™ 在有限頻寬傳輸更高畫質的影像
- 符合 ONVIF Profile S 中標準化和互操作性
- 符合所有 EN 50155 規範強制性測試項目¹

認證



EN 50155



簡介

VPort 06EC-2V 戶外網路攝影機在最高 30 fps 時可支援 1080P (1920 x 1080) 解析度視訊影像。iCapTrue 的新影像強化技術運用先進的 AE 和 AWB 演算法，在各種環境中都能提供良好的影像畫質。機殼設計可達 IP67 防護等級，證明能夠提供充分的防塵和防雨保護，而且內建正面玻璃螢幕加熱器和堅固的外殼，此系列攝影機可滿足戶外行動網路視訊監控應用所需的多功能性和耐用性。此外，有提供操作溫度範圍為 -40 至 70°C 的型號。

規格

Memory

microSD Slot	SDXC
--------------	------

Input/Output Interface

Digital Output Channels	1
Contact Current Rating	Resistive load: 1 A @ 24 VDC
Connector	5-pin A-coded male M12 connector with 20 cm cable

Ethernet Interface

PoE Ports (10/100BaseT(X), M12 D-coded 4-pin female connector)	1
--	---

Ethernet Software Features

Protocols	TCP/IP, IPv4/IPv6, UDP, HTTP, RTP/RTSP, ARP, UPnP, FTP, TFTP, SMTP, NTP Client, DNS, DDNS, QoS, IGMP v3, ICMP, SNMPv1/v2c/v3, DHCP Opt66/67, HTTPS
-----------	--

Security Functions

Password	User-level password protection
Filter	IP address
Encryption	HTTPS

1. 此產品適合 EN 50155 標準規定的所有軌道車輛應用。若需更詳細的說明，請參照：www.moxa.com/doc/specs/EN_50155_Compliance.pdf

Power Parameters

No. of Power Inputs	2
Source of Input Power	PoE (IEEE 802.3af)
Input Voltage	24 VDC for front-window heater (for defrosting)
Input Current	0.167 A @ 48 VDC, 0.9 A @ 24 VDC
Power Connector	M12 connector
Note	PoE is for powering the camera; 24 VDC is for powering the heater

Camera Characteristics

Sensor	1/3-in 1080P progressive scan CMOS
Lens	VPort 06EC-2V36M Series: f=3.6 mm, F1.6, Diagonal 99°, Horizontal 70°, Vertical 39° VPort 06EC-2V42M Series: f=4.2 mm, F1.6, Diagonal 82°, Horizontal 62°, Vertical 34° VPort 06EC-2V60M Series: f=6.0 mm, F1.8, Diagonal 62°, Horizontal 43°, Vertical 24° VPort 06EC-2V80M Series: f=8.0 mm, F1.6, Diagonal 42°, Horizontal 33°, Vertical 17°
Minimum Illumination	Color: 0.2 lux, at F1.6 (Gain High, 50 IRE, 1/30 sec) B/W: 0.05 lux, at F1.6 (Gain High, 50 IRE, 1/30 sec)
Day & Night	Auto/Color/BW; ICR control
ICR Control	Auto
Synchronization	Internal
White Balance	ATW/AWB
Electronic Shutter	Auto, Fixed (1/30 to 1/25000 sec)
S/N Ratio	Maximum 50 dB (AGC off; DNR on)
DNR (digital noise reduction)	Built-in 2D/3D DNR
WDR (wide dynamic range)	100 dB
AGC (auto gain control)	2X, 4X, 8X, 16X
Flickerless Control	Automatic, 50 Hz, 60 Hz modes
Image Rotation	Flip, Mirror, 90°, 180°, 270° rotation
Image Setting	Manual tuning with saturation, sharpness, and contrast
Camera Angle	Pan: ±5°, Tilt: +10/-5° (controlled manually)

Video Interface

Video Compression	H.264 (ISO/IEC 14496-10) or MJPEG
Video Output	via Ethernet
Video Streams	4 independent H.264 or MJPEG video streams
NTSC/PAL	Auto-sensing or manual

Video Resolution and FPS (frames per second)	NTSC		PAL		
	Size	Max. FPS	Size	Max. FPS	
	QCIF	176 x 112	30	176 x 144	25
	CIF	352 x 240	30	352 x 288	25
	VGA	640 x 480	30	640 x 480	25
	4CIF	704 x 480	30	704 x 576	25
	Full D1	720 x 480	30	720 x 576	25
	SVGA	800 x 600	30	800 x 600	25
	HD	1280 x 720	30	1280 x 720	25
	WXGA	1280 x 800	30	1280 x 800	25
Full HD	1920 x 1080	30	1920 x 1080	25	
Video Viewing	<p>DynaStream™ support for changing the video frame rate automatically CBR Pro™ for good image quality in limited bandwidth transmissions 3 privacy mask areas provided Adjustable image size and quality Timestamp and text overlay OSD (On Screen Display) position adjustable Maximum of 5 simultaneous unicast connections, 50 multicast clients Digital PTZ</p>				

Camera Software Development

Video Standards	ONVIF Profile S
-----------------	-----------------

Camera Alarm Software Features

Intelligent Video	Camera tampering detection
Video Motion Detection	3 independently configurable areas
Shock Detection	Built-in G sensor
Humidity	Detects camera's internal humidity
Scheduling	Daily repeat timing schedule
Imaging	JPEG snapshots for pre/trigger/post alarm images
Custom Alarms	HTTP event servers for setting customized alarm actions
Email/FTP Messaging	Automatic transfer of stored images via email or FTP as event-triggered actions
Pre-Alarm Buffer	50 MB video buffer for JPEG snapshot images
Video Recording	Event recordings stored on the SD card

Software Requirements

Memory Size	2 GB
Operating System	Windows 7 or above
Browser	Internet Explorer 9.x or above
Multimedia	DirectX 9.0C or above

Physical Characteristics

Housing	Metal IP67 Transparent Glass cover
Dimensions	83 x 168 x 233 mm (3.27 x 6.61 x 8.78 in)
Weight	1630 g (3.59 lb)
Installation	Wall mounting (standard)
Protection	-CT models: PCB conformal coating

Environmental Limits

Operating Temperature	Standard Models: -25 to 55°C (-13 to 131°F) Wide Temp. Models: -40 to 70°C (-40 to 158°F)
Storage Temperature (package included)	-40 to 85°C (-40 to 185°F)
Ambient Relative Humidity	5 to 95% (non-condensing)
Ingress Protection	IEC 60529, IP67
Salt Spray Test	ASTM B368 (CASS), 125 hours
Altitude	2000 m

Standards and Certifications

EMI	CISPR 32, FCC Part 15B Class A
EMS	IEC 61000-4-2 ESD: Contact: 6 kV; Air: 8 kV IEC 61000-4-3 RS: 80 MHz to 1 GHz: 20 V/m IEC 61000-4-4 EFT: Power: 2 kV; Signal: 2 kV IEC 61000-4-5 Surge: Power: 2 kV; Signal: 1 kV IEC 61000-4-6 CS: 10 V IEC 61000-4-8 PFMF
Freefall	IEC 60068-2-31
Railway Fire Protection	EN 45545-2
Safety	UL 60950-1
Shock	IEC 60068-2-27, IEC 61373, EN 50155
Vibration	IEC 60068-2-64, IEC 61373, EN 50155
Railway	EN 50155 (complies with a portion of EN 50155 specifications)

MTBF

Time	480,269 hrs
Standards	Telcordia SR332

Warranty

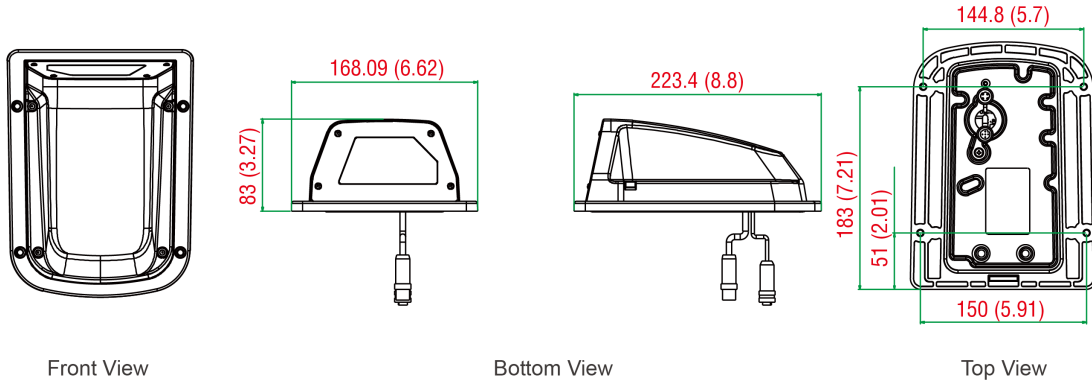
Warranty Period	5 years Note: Limited warranty on moving parts; see Moxa's online warranty policy for details.
Details	See www.moxa.com/tw/warranty

Package Contents

Device	1 x VPort 06EC-2V Series camera
Installation Kit	1 x cap, male, metal, for M12 port 1 x 15 g dry pack (VP-DP02) 1 x sticker
Documentation	1 x document and software CD 1 x quick installation guide 1 x warranty card

尺寸

單位：公釐（英吋）



訂購資訊

Model Name	Lens	Local Storage	Operating Temp.	Conformal Coating
VPort 06EC-2V36M	3.6 mm	microSD slot, SDXC interface	-25 to 55°C	-
VPort 06EC-2V42M	4.2 mm	microSD slot, SDXC interface	-25 to 55°C	-
VPort 06EC-2V60M	6.0 mm	microSD slot, SDXC interface	-25 to 55°C	-
VPort 06EC-2V80M	8.0 mm	microSD slot, SDXC interface	-25 to 55°C	-
VPort 06EC-2V36M-T	3.6 mm	microSD slot, SDXC interface	-40 to 70°C	-
VPort 06EC-2V42M-T	4.2 mm	microSD slot, SDXC interface	-40 to 70°C	-
VPort 06EC-2V60M-T	6.0 mm	microSD slot, SDXC interface	-40 to 70°C	-
VPort 06EC-2V80M-T	8.0 mm	microSD slot, SDXC interface	-40 to 70°C	-
VPort 06EC-2V36M-CT	3.6 mm	microSD slot, SDXC interface	-25 to 55°C	P
VPort 06EC-2V42M-CT	4.2 mm	microSD slot, SDXC interface	-25 to 55°C	P
VPort 06EC-2V60M-CT	6.0 mm	microSD slot, SDXC interface	-25 to 55°C	P
VPort 06EC-2V80M-CT	8.0 mm	microSD slot, SDXC interface	-25 to 55°C	P
VPort 06EC-2V36M-CT-T	3.6 mm	microSD slot, SDXC interface	-40 to 70°C	P
VPort 06EC-2V42M-CT-T	4.2 mm	microSD slot, SDXC interface	-40 to 70°C	P
VPort 06EC-2V60M-CT-T	6.0 mm	microSD slot, SDXC interface	-40 to 70°C	P
VPort 06EC-2V80M-CT-T	8.0 mm	microSD slot, SDXC interface	-40 to 70°C	P

配件 (選購)

Camera Mounting Kits

VP-DP02

15 g dry pack with hook-and-loop fastener

© Moxa Inc. 版權所有. 2019 年 12 月 30 日更新。

未經 Moxa Inc. 明確書面許可，不得以任何方式複製或使用本文件及其任何部分。產品規格如有變更，恕不另行通知。請至本公司官網了解最新的產品資訊。