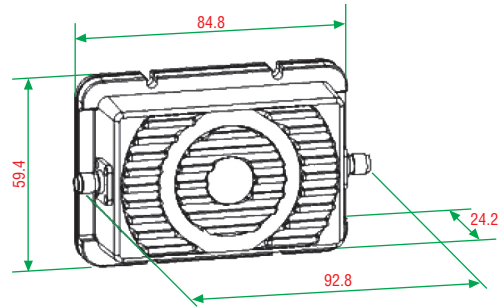


A-WPA-2410gM-IDU

2.4 GHz wireless power amplifier



Unit: mm

: Specifications

Wireless Characteristics

Operation Range: 2400 to 2500 MHz
Operation Mode: Bi-directional TDD
Output Power: 29±1 dBm
Transmit Gain: 12±2 dB
Frequency Response: ±1.5 dB
Tx Input Power: 5 dBm (min.) / 18dBm (max.)
Receiver Gain: 12±2 dB
Noise Figure: < 3.0 dB (typ.)
Tx/Rx Switch Time: < 1 us

Interface

RF Connector Type:
 Input: RP-SMA (male)
 Output: RP-SMA (female)
LED Indicators:
 Transmit: Green
 Receive: Red

Power

Power Input: 12 VDC
Power Consumption (@12VDC):
 Tx: <1.2A
 Rx: <120mA
Power Cable: Power plug to power jack cable (included)
Dimensions: 92.8 x 59.4 x 24.2 mm (L x W x H)

Environmental Limits

-40 to 75°C (-40 to 167°F)

Warranty

Warranty Period: 1 year
Details: See www.moxa.com/warranty

: Ordering Information

Available Models

A-WPA-2410gM-IDU: 2.4 GHz wireless power amplifier

Can be used with the following series

AWK-3121, AWK-3131, AWK-5222, and AWK-5232 Series